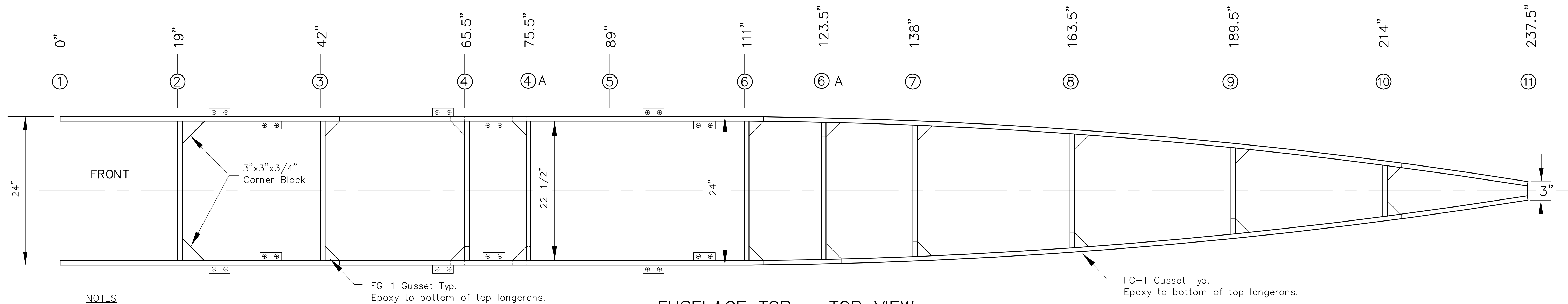
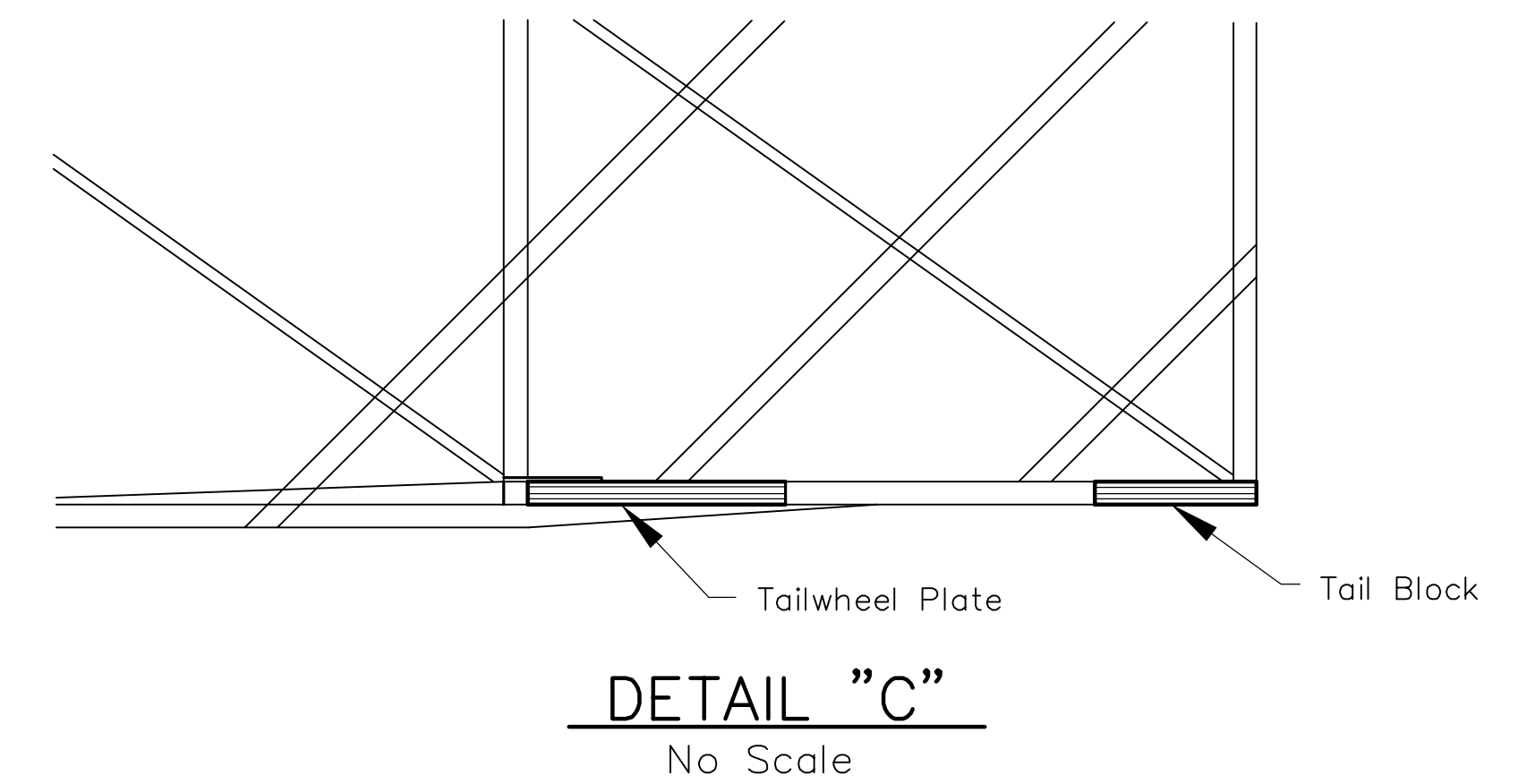
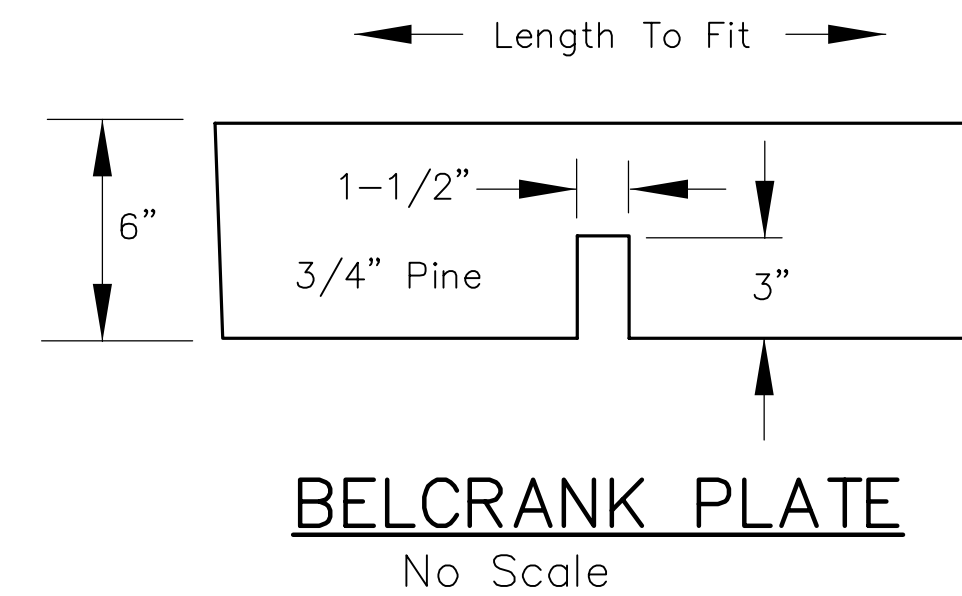
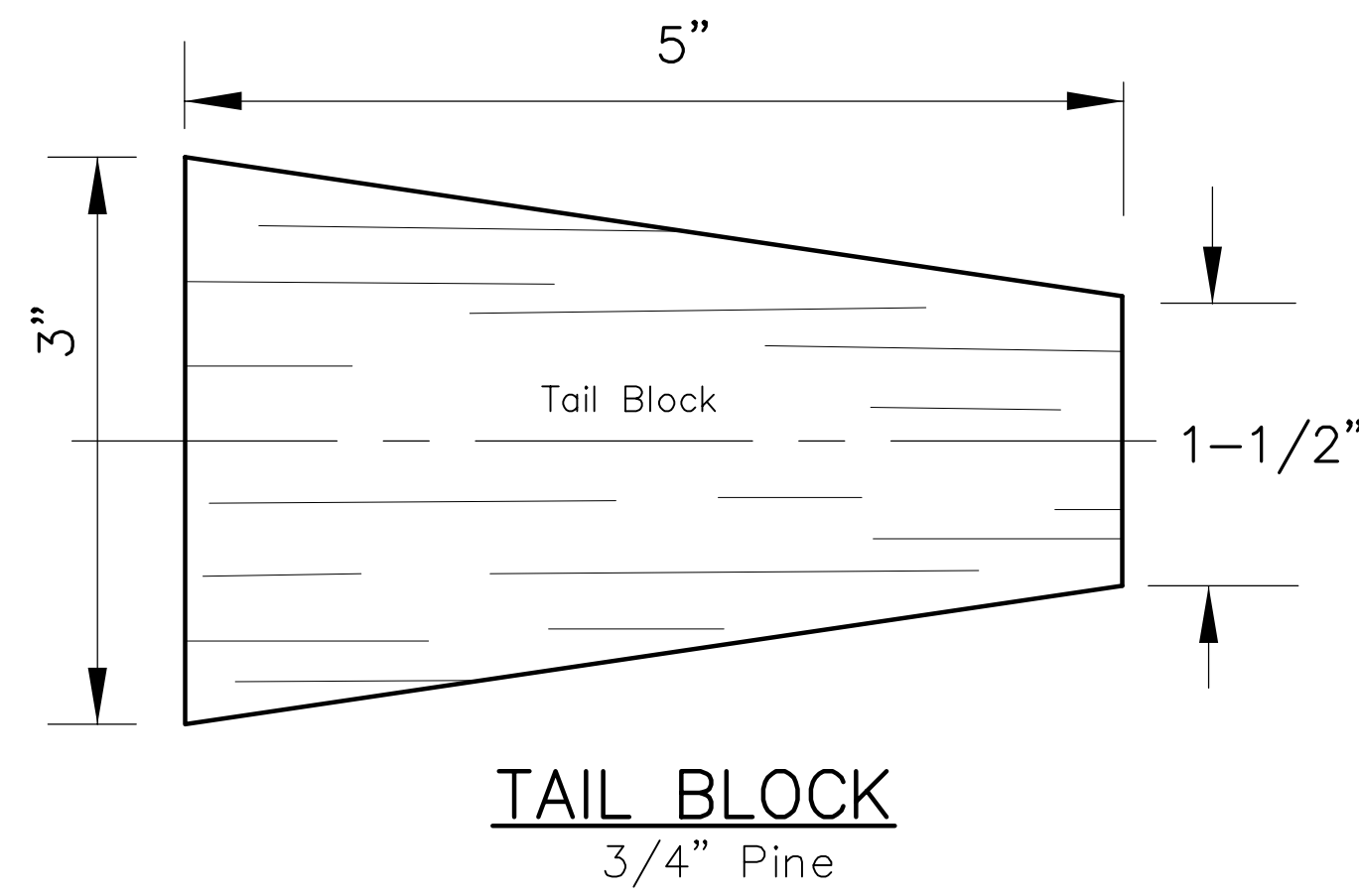


FUSELAGE BOTTOM – TOP VIEW
ALL STATIONS IN INCHES

NOTES

1. Establish a centerline on work table.
2. Add cleat blocks to hold frames 24" apart to sta. 6. Brace the frames to stand vertically.
3. Fit and glue cross members from sta. 2 to sta. 6.
4. Add corner blocks at sta. 2 and FG-1 gussets to sta. 5.
5. Once cured, pull tail together to locate tail block. Screw the tail block to table with 3/4" spacer underneath.
6. Clamp and glue side frames to tail block.
7. Fit and glue cross members and gussets from sta. 6 to sta. 10. Modify the gussets as required to fit around geodetic strips.
8. Transfer centerline marks from table to all cross members.
9. Fit and glue the tailwheel plate between the lower longerons.



FUSELAGE TOP – TOP VIEW
ALL STATIONS IN INCHES

NOTES

1. Verify that the fuselage sides are braced vertically.
2. Fit and glue all cross members. Brace the frames to stand vertically.
3. Clamp and glue corner blocks and gussets. Modify the gussets as required to fit around geodetic strips.