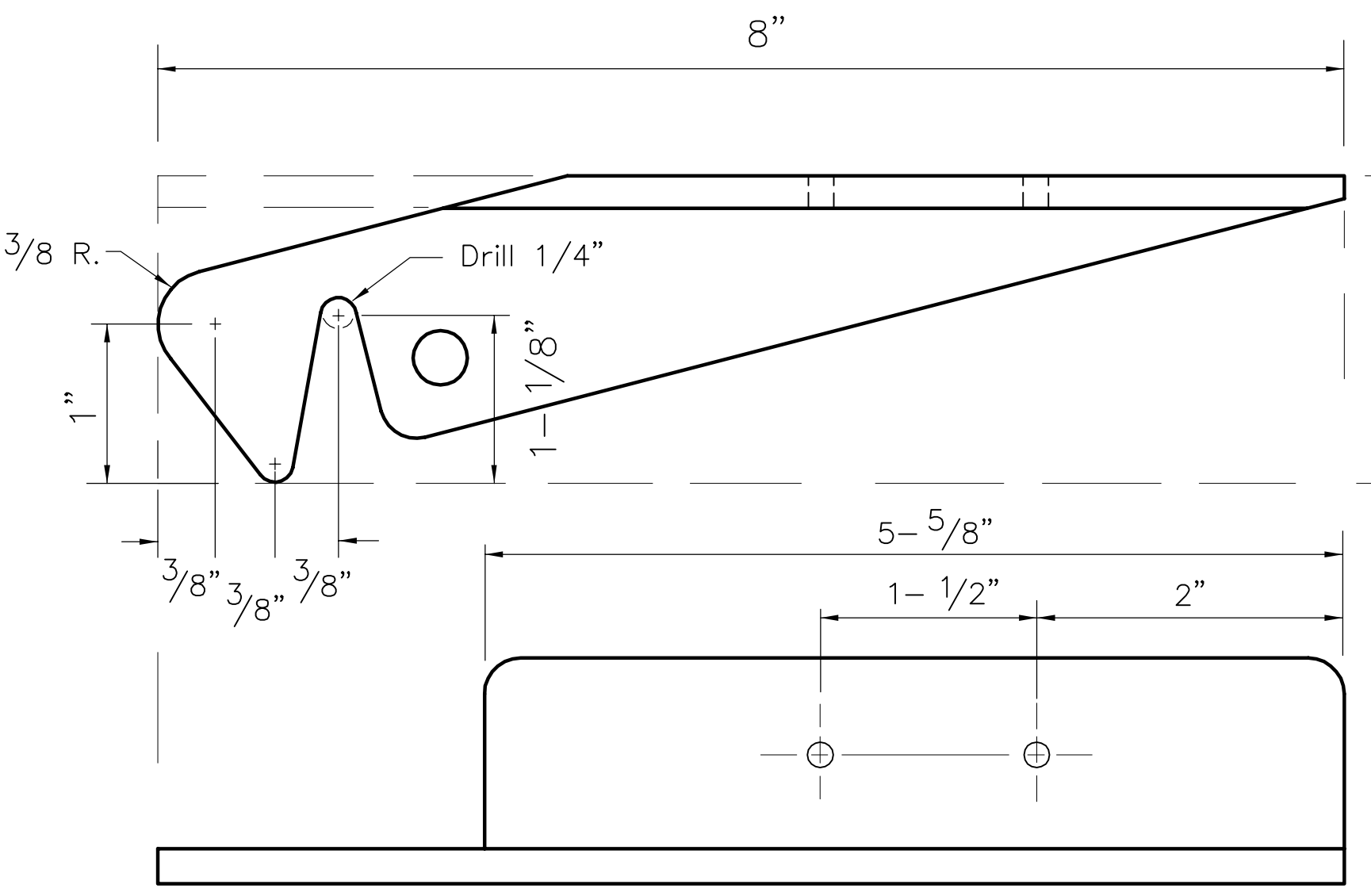
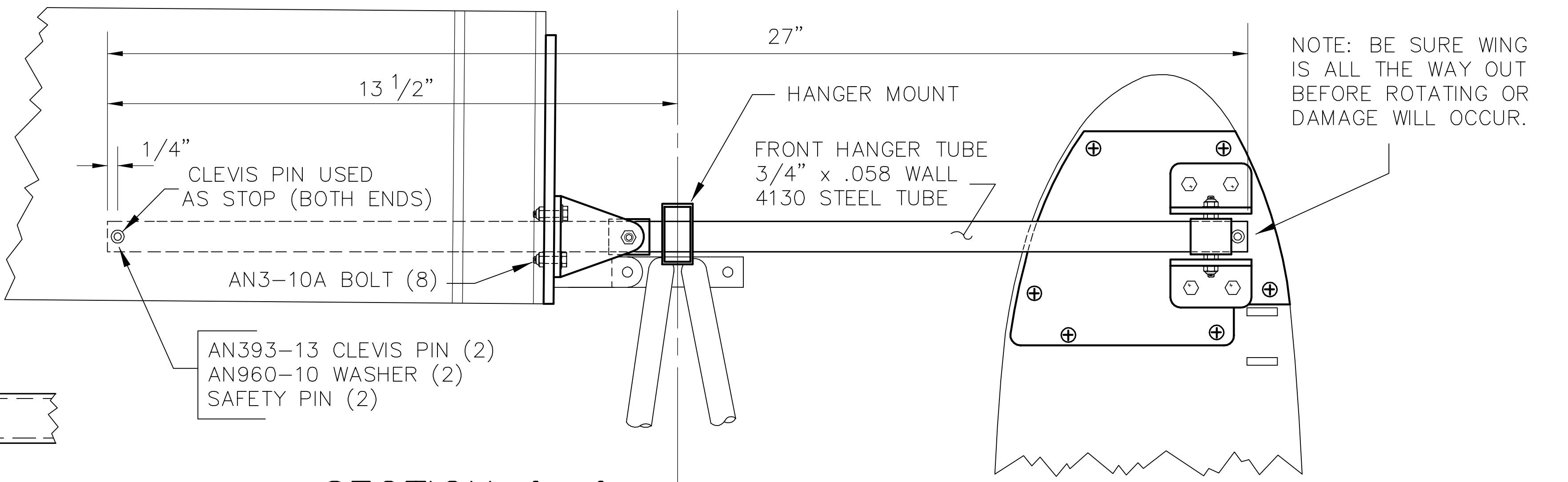
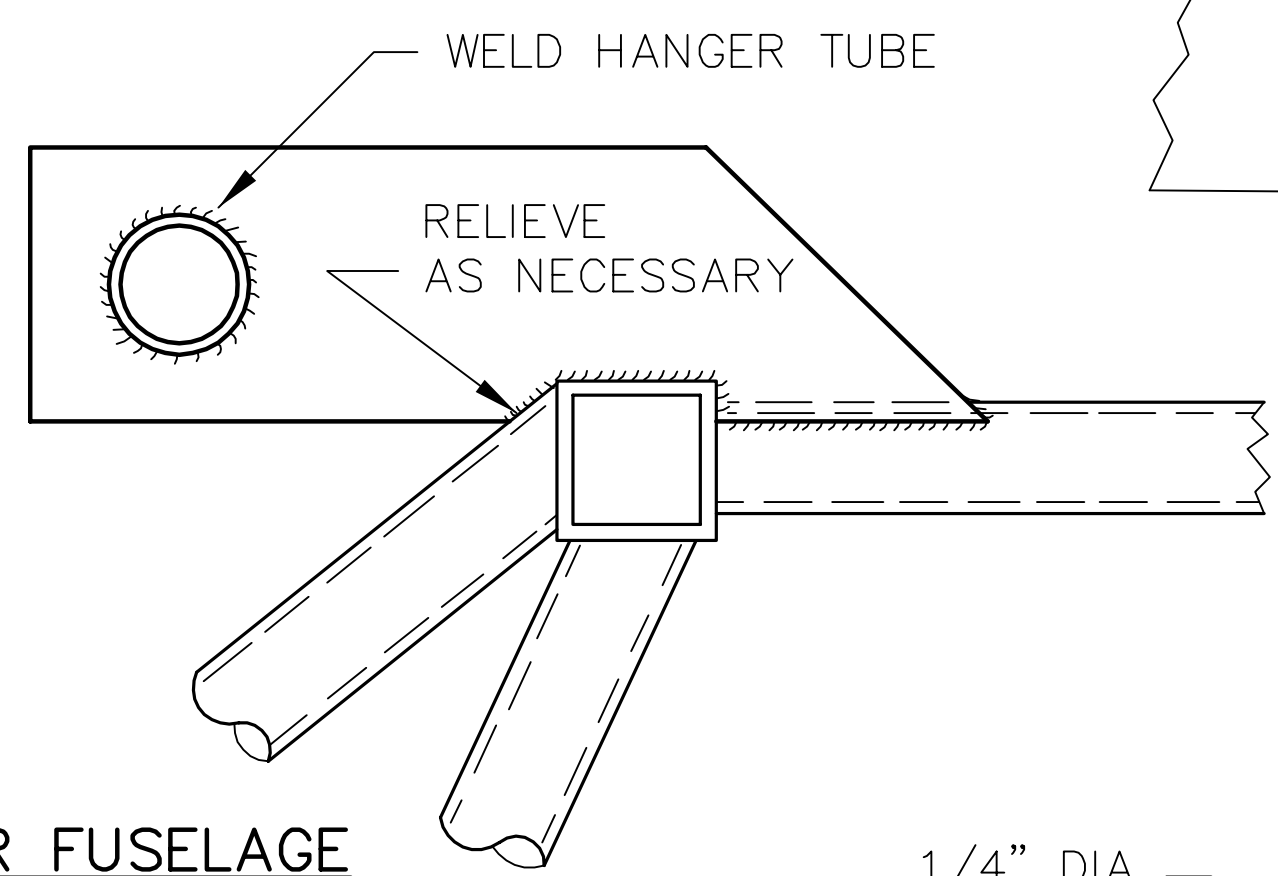
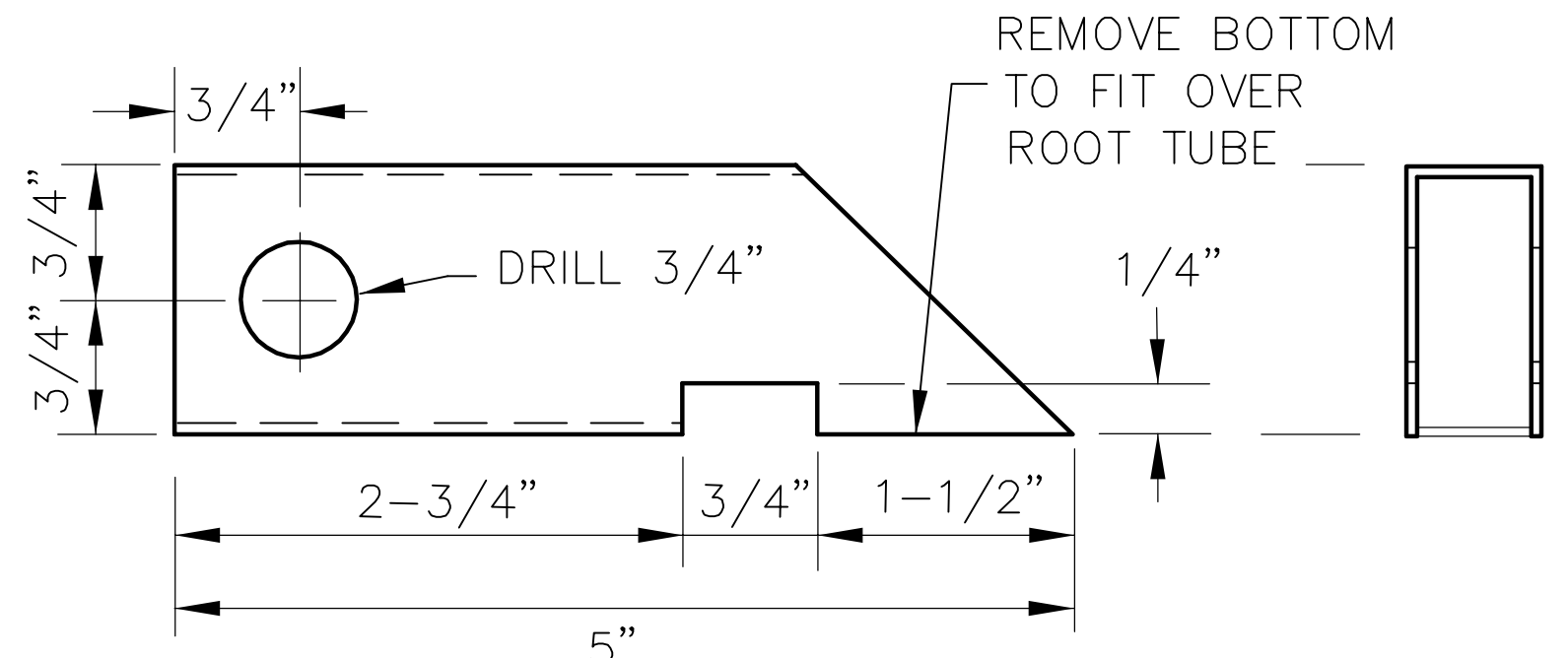
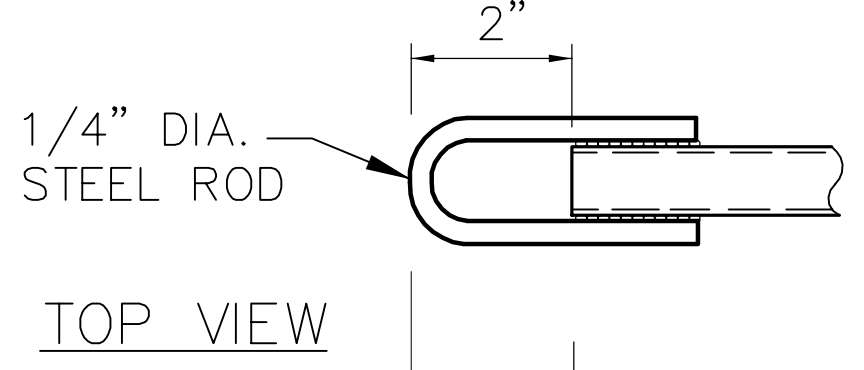


CONNECT MOUNTING PLAT TO ROOT RIB WITH 10-32 STAINLESS MACHINE SCREWS AND BLIND NUTS. EPOXY 1/4" PLY BACKING BLOCKS SECURELY INSIDE ROOT RIB TO ACCEPT BLIND NUTS.



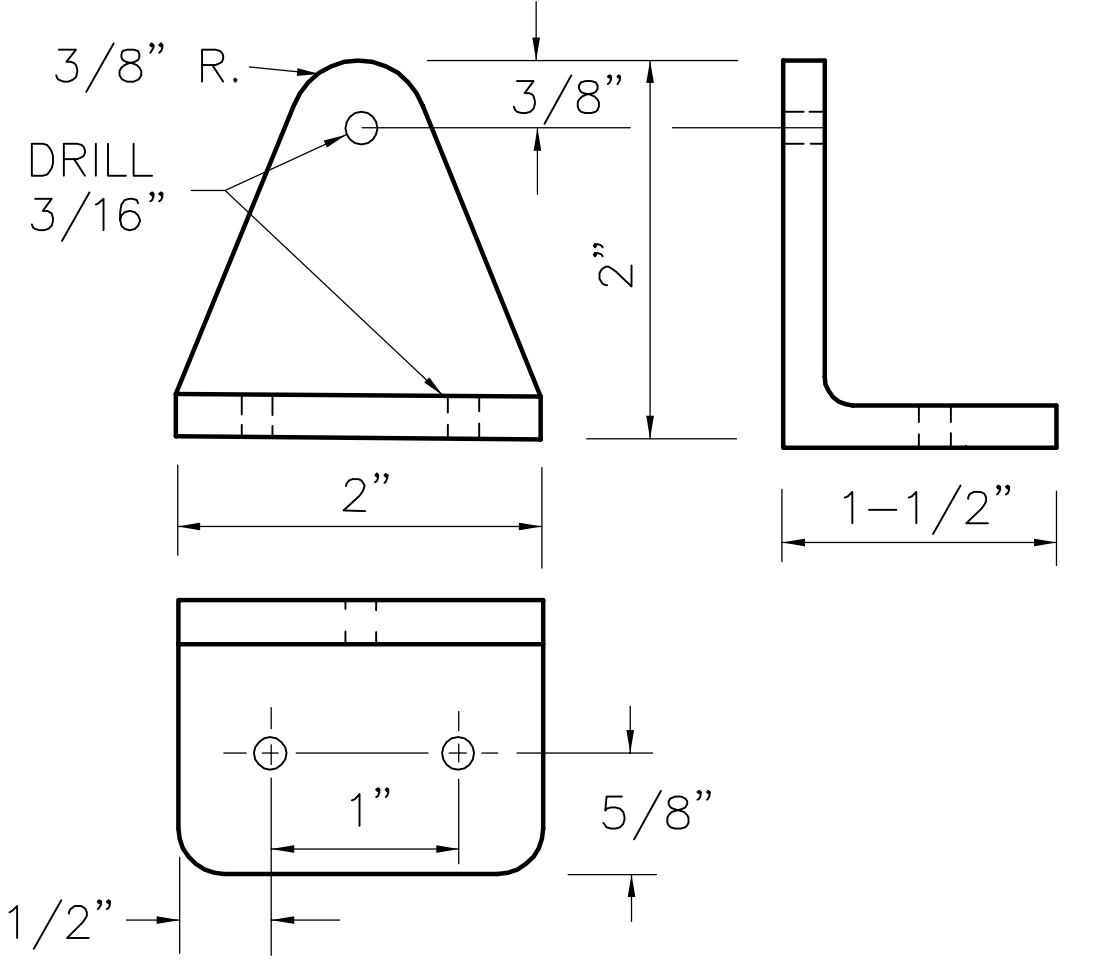
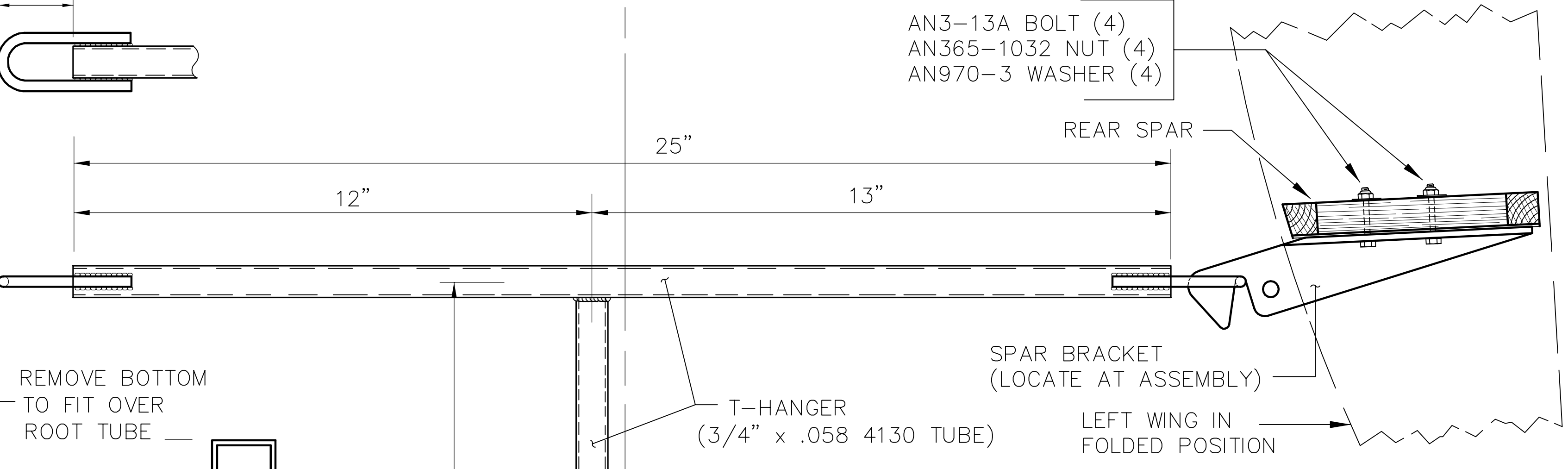
SPAR BRACKET

1-1/2" x 2" x 3/16" 6061-T6 ALUM. REQ. 1 LT. / 1 RT.
FULL SCALE

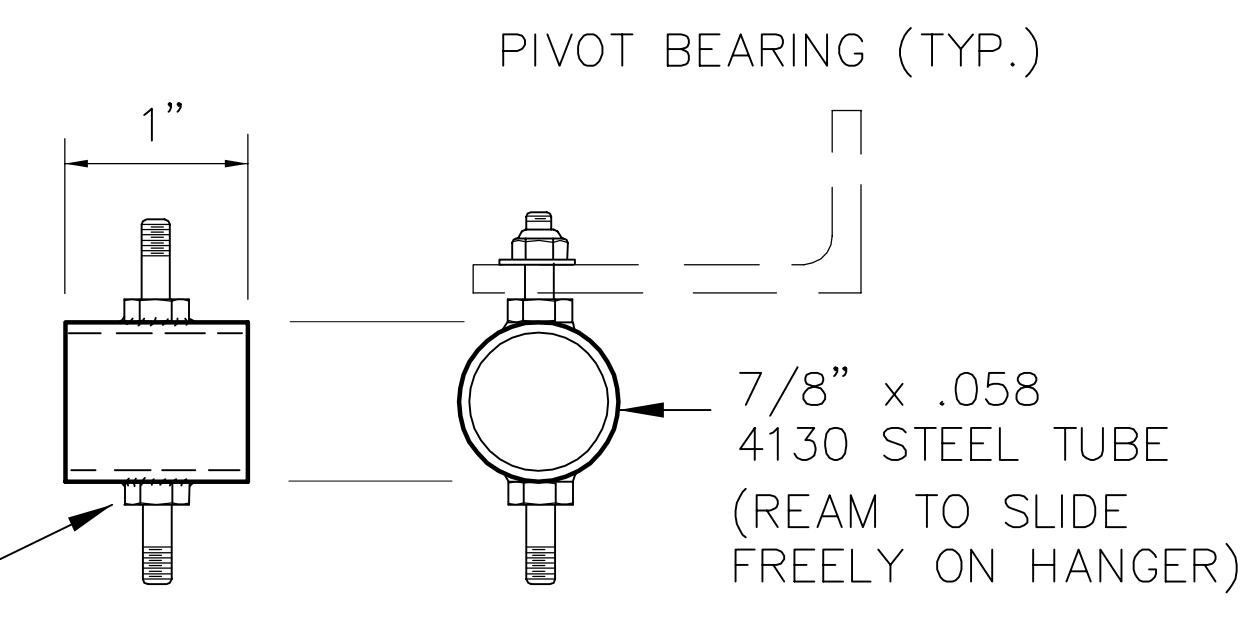
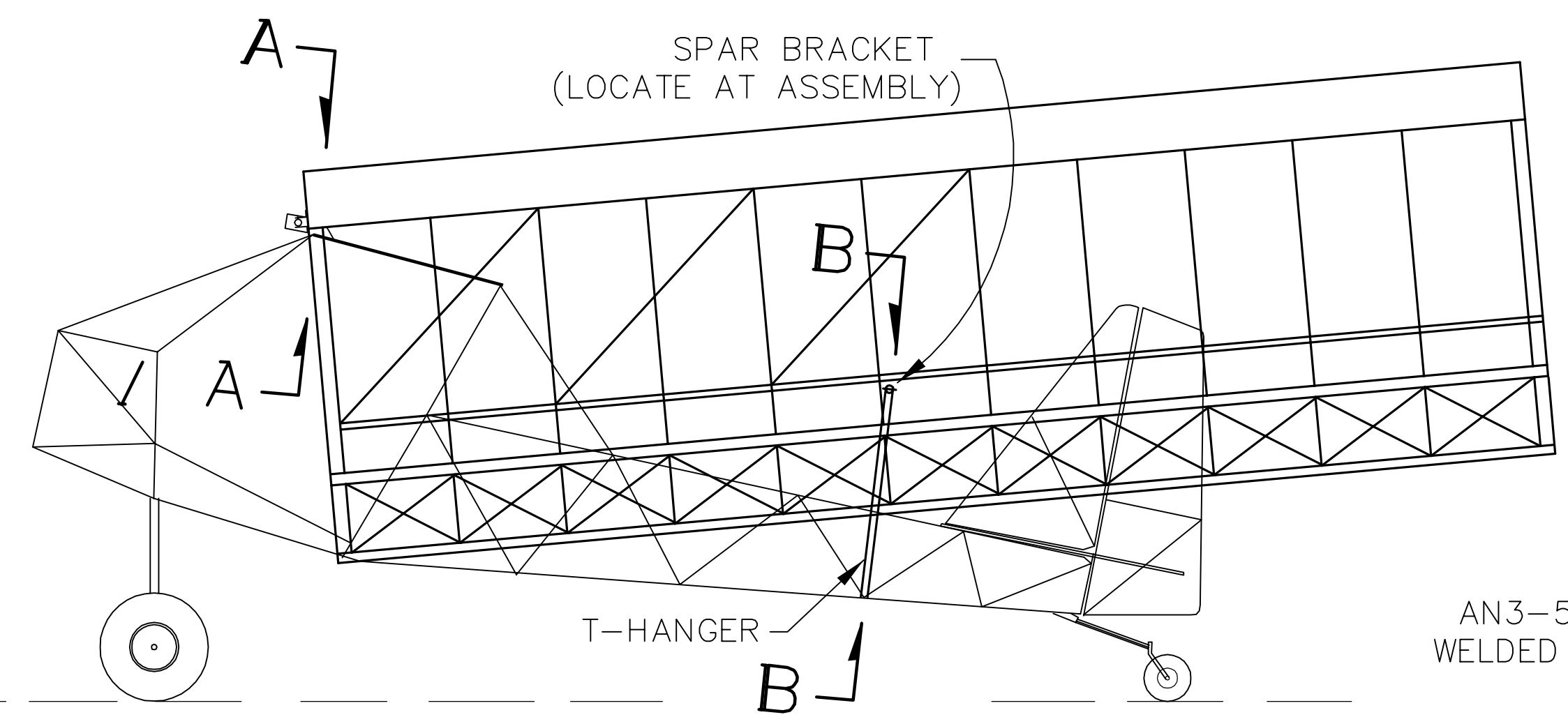


HANGER MOUNT

3/4" x 1-1/2" 4130 STEEL TUBE
FULL SCALE - 1 REQ'D.



1-1/2" x 2" x 3/16" 6061-T6 ALUM. 4 REQ.
FULL SCALE



AIR-BIKE
LIGHT-SPORT AIRCRAFT

WING FOLD SYSTEM

1 OF 1